



Flexible Metal Hoses

Flexible

Metal Hoses

INDEX

About Us		05
Quality Policy		06
CSST Hose EN 15266		08
Paktermo Duo		09
CSST For Hydrogen Paktermo		09
Installation Instructions of Paktermo & Paktermo Duo		10
The Installation Instructions of Paktermo Duo		11
CSST Fittings		13
EN 14800 Gas Hoses		14
Gas Connection Hoses	<ul style="list-style-type: none">• Extensible Gas Connection Hoses• Gas Counter Connection Hoses• Regulator Connection Hoses• Burner Connection Hoses	16 16 17 17
PAK 001 Standart Pitch Flexible Metal Hose		18
PAK 002 Open Pitch Flexible Metal Hose		19
Flexible Metal Braided Hoses		20
Sprinkler Connection Hoses		21
Water Connection Hoses		22
Fon-Coil Connection Hoses		22
Flexible Metal Hoses For Boiler		23
Easy and Quick Installation Quickflex Hoses		24
Insulated Solar Hoses		25





About Us

PAKTERMO AS. has been producing a wide range of flexible metal hoses for residential and industrial applications, in its factory which is located in Bursa Organized Industrial Zone. By following closely recent innovations and demands, expands its product range and continues to be one of the leading company in the sector with new investments.

As a manufacturer company PAKTERMO is capable to meet all demands of customers with new investments, high technology and experienced staff. Our products are tested to comply with relevant quality standards in the equipped laboratory which is located in our factory.

From the first day our main goal is providing the best service and good quality products to our customers for 100% customer satisfaction. We continue our way with more dynamic, qualified, effective service principle in order to meet developing technology and demands.

Except local market, we also export our products more than 30 countries. We are aiming to increase the number of exported countries in order to deliver PAKTERMO products all around the world.



Quality Policy

Our company which operates in the field of "Flexible Metal Hoses", has defined its policy in accordance with the following issues.

- * To fully perceive customer needs and expectations firstly, based on customer satisfaction principle,
- * To present our products in desired time, quality and safe,
- * To take place as a quality and competitive company,
- * To use advanced technology in production,
- * To work with expert technical staff,
- * ISO 9001: 2015 Quality Management System to meet the requirements determined as applicable and continuously improve the system.

PAKTERMO AS has been operating with the principle 'Quality Comes First'. Customer satisfaction is always forefront with the best service and quality production.

All stages are carried out meticulously from supply of raw material to packaging and delivery to our customers.

Our products are tested to comply with relevant quality standards in the equipped laboratory which is located in our factory. Our quality is approved by TUV SUD Group with ISO 9001:2015 quality certificate.

All our products conform to standards, certified by notified bodies.





 **PAKTERMO**
PRODUCT GROUP

EN 15266 CSST HOSE

Stainless steel pliable corrugated tubing kit for gas installation with an operating pressure up to 0,5 bar. It is a very easy, quick, cheap and safety gas installation system. Flexible tube is made from high quality stainless steel AISI316L and it is heat treated to make it more pliable. Yellow polyolefin coating protects the tube from external influences and corrosion.



PAKTERMO CSST System has approval from Certigaz, BSI, OVGW, GAS.BE, TSE and DVGW

The problems occurring due to using additional parts at turnings and joints during installation with semi rigid tube is removed by PAKTERMO CSST system.

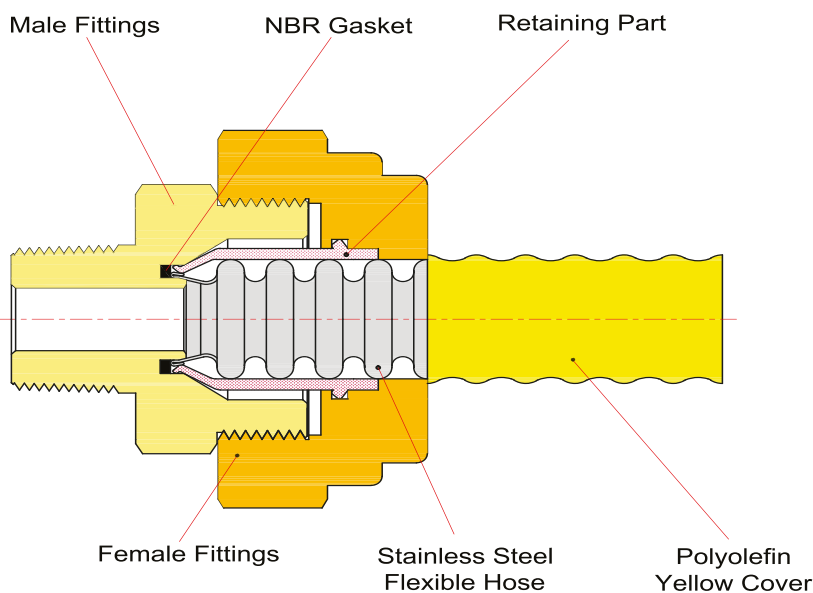
This system considerably reduces labor time. More practical and safety installation can be realized by Push Fit system.

Paktermo Safe Assemble System provides long-lasting and safe use due to its components.

PAKTERMO CSST system is produced and offered to the market with a total quality approach from the production process until the installation process.

Please download our **Paktermo Sizing Guide APP** in order to calculate the size of CSST your project requires.

CODE	DIMENSION
P2615	DN15
P2620	DN20
P2625	DN25
P2632	DN32
P2640	DN40
P2650	DN50





PAKTERMO DUO

When passing through unvented voids, **PAKTERMO DUO** works as a pipe in pipe solution meaning no additional sleeving.

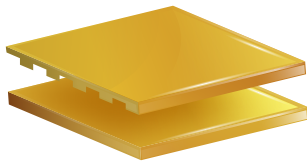
The outer jacket has a ridges underside; This creates space between the outer jacket and the internal pipe, allowing the gas to be vented when necessary.

Paktermo DUO can be used on horizontal runs and on vertical runs.

PAKTERMO DUO jacketed with a yellow cover, with UV and ozone protection as well as smoke and fire retardant properties (EUROCLASS Reaction to Fire Classification B – sl, d0), which provides ease of running through building components.

Paktermo DUO can be direct burial in ventiated voids.

UV-resistant Polyethylene jacket
with a ridges outer sleeve



UV-resistant Polyethylene jacket
enclosing the inner pipe



CSST FOR HYDROGEN PAKTERMO



PAKTERMO CSST System is certified for Hydrogen by BSI.

As a fuel source, hydrogen and natural gas have a number of similarities including safety considerations, transportability and versatility. In addition, hydrogen is the lowest carbon fuel at the point of use.

As such, it is expected to be a significant contributor in the world's shift to a cleaner and greener economy, by diversifying the energy mix and helping to meet emission reduction targets. On this basis, hydrogen represents an excellent fuel alternative in a range of applications including transportation, power production and heating, both process heating (industrial) and space heating (residential and commercial).

With increasing interest in hydrogen as a fuel source, blending hydrogen with natural gas provides an opportunity to increase hydrogen demand while lowering carbon emissions. This blended fuel can be used in many applications in place of pure natural gas. Currently, blend ratios of up to 20% hydrogen are being tested.

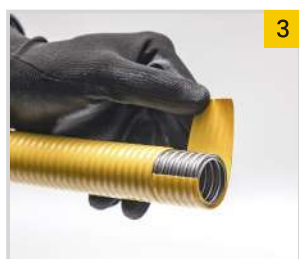
INSTALLATION INSTRUCTIONS OF PAKTERMO & PAKTERMO DUO



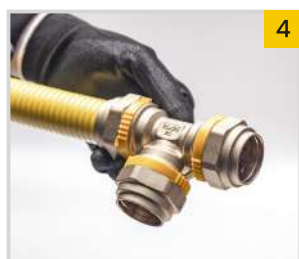
1



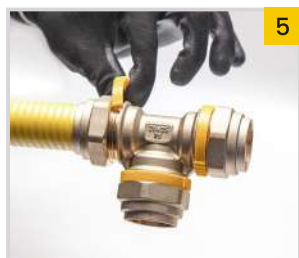
2



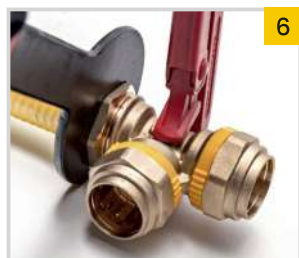
3



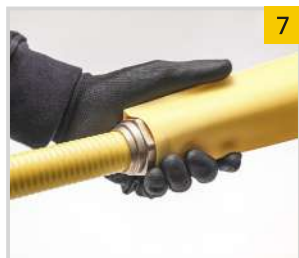
4



5



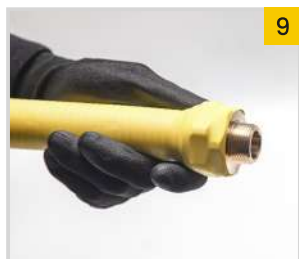
6



7



8



9

1- Cut tubing at required length with a tubing cutter between two corrugations. Tighten roller pressure slightly after each revolution. If the end of the tube is not smooth and there are burrs please cut tubing again.

2- Cut yellow cover at 6th Corrugation for on 15, DN20, DN25 and DN32, 5th Corrugation for DN40 and DN50 from the tubing end with a utility knife. Please pay attention to the number of corrugations.

3- Please carefully peel off the yellow cover.

4- Insert the tube into the fittings firmly until not seeing metal part of the tube.

5- Remove yellow ring between nut and fittings.

6- Firstly tighten the nut by hand when the tube is inserted into the fittings. Later tighten the nut with a wrench. When tightening the nut tubing should be kept fixed. The nuts are tightened until in abutment but not exceeding the torque values in the table.

7- Cut the heat shrink tube to the length of cover the fittings and pipe connection area. After the assembly of end connection, put the heat shrink tube.

8- Then use hot air gun to shrink the tube over the pipe and fittings.

9- Cut and clean the heat shrink parts that come towards the theet of fittings with the utility knife.

Tube Diamenter	EN15266 CSST Assembly Torque Values (N m)	
DN.	MIN.	MAX.
15	65	95
20	90	130
25	105	150
32	125	170
40	180	230
50	320	370

THE INSTALLATION INSTRUCTION OF PAKTERMO DUO



D1. Cut tubing at required length with a tubing cutter between two corrugations. Tighten roller pressure slightly after each revolution. If the end of the tube is not smooth and there are burrs please cut tubing again.



D2. Position the hose peeler onto the tube, making sure it's around 80 mm away from the cut end. Rotate it at least three times to slice through the outer layer while leaving the inner covering unharmed.



D3. Remove the cutter part outer sleeve by twisting and pulling it off the pipe from the cut end while firmly holding the other end with your other hand.



D4. Cut inner cover at **6th** Corrugation for **DN 15, DN20, DN25** and **DN32**, **5th** Corrugation for **DN40** and **DN50** from the tubing end with a utility knife or with a hose peeler. Please pay attention to the number of corrugation.



D5. Insert the tube into the fittings firmly until not seeing metal part of the tube.

Note: After D5 step please follow assembly steps CSST installation from number 5 to 9. (Page: Left)

PAKTERMO

CSST EN 15266



CSST FITTINGS

The PAKTERMO CSST fittings system is Push Fit system.
The fittings system is the design of PAKTERMO.

PAKTERMO CSST fittings are available for all size of PAKTERMO CSST hoses with wide range.

Tee Socket



CODE	DIMENSION
P26F302	DN20XDN20XDN20
P26F312	DN25XDN20XDN20
P26F313	DN20XDN25XDN20
P26F314	DN25XDN25XDN20
P26F306	DN25XDN20XDN25
P26F304	DN25XDN25XDN25
P26F319	DN32XDN25XDN20
P26F305	DN32XDN25XDN25
P26F317	DN25XDN32XDN25
P26F315	DN32XDN25XDN32
P26F316	DN32XDN32XDN32

Male (conic) Socket



CODE	DIMENSION
P26F101	DN15X1/2"
P26F102	DN20X1/2"
P26F103	DN25X3/4"
P26F104	DN25X1"
P26F105	DN32X1.1/4"
P26F120	DN40X1.1/4"
P26F121	DN40X1.1/2"
P26F124	DN50X2"

Male (cylindric) Socket



CODE	DIMENSION
P26F106	DN15X1/2"
P26F107	DN20X3/4"
P26F108	DN25X1"
P26F109	DN32X1.1/4"

Female Socket



CODE	DIMENSION
P26FM01	DN15X1/2"
P26FM02	DN20X3/4"
P26FM03	DN25X3/4"
P26FM04	DN25X1"
P26FM05	DN32X1.1/4"
P26FM06	DN32X1"
P26FM07	DN20X1/2"

Female Socket –Swivel Nut



CODE	DIMENSION
P26F9	DN15X1/2"
P26F10	DN20X1/2"
P26F11	DN20X3/4"
P26F12	DN25X3/4"
P26F13	DN25X1"
P26F14	DN32X1"
P26F15	DN32X1.1/4"

Union Socket



CODE	DIMENSION
P26F201	DN15XDN15
P26F202	DN20XDN20
P26F203	DN25XDN25
P26F204	DN32XDN32
P26F205	DN40XDN40
P26F206	DN50XDN50

Sweat Connection Socket



CODE	DIMENSION
P26F22	DN15X(14X1)
P26F16	DN20X(22X1)
P26F17	DN25X(22X1)
P26F18	DN25X(28X1)
P26F19	DN32X(22X1)
P26F20	DN32X(28X1)

Copper Compression S.



CODE	DIMENSION
P26F2501	DN15X15mm
P26F2502	DN20X15mm
P26F2503	DN20X22mm
P26F2504	DN25x22mm
P26F2505	DN25X28mm
P26F2506	DN32X28mm
P26F2507	DN32X35mm

Female Connection Socket



CODE	DIMENSION
P26F4	DN15XM20X1.5
P26F5	DN20XM20X1.5

90° Elbow



CODE	DIMENSION
P26F23	DN20XG4"
P26F24	DN20XG3/4"

CSST Hose Cutter



CODE	DIMENSION
15HKA	DN15–DN50

Hose Protector



CODE	DIMENSION
15I011	DN15–DN32

EN14800 GAS HOSES



The corrugated metal gas hose assemblies according to this European Standard are suitable for the connection of domestic appliances inside or outside a dwelling using gas at a pressure lower than 0,5 bar. Gas hoses are suitable for 1st, 2nd and 3rd family gases. These gases are commonly referred to as manufactured gases, natural gases and liquid petroleum gases (LPG).

The gas hose is designed in accordance with EN14800 and EN1775 (to keep resistance to high temperature - 650°C during at least 30 minutes). The hose is made of stainless steel. It has a stainless steel braid, welded to the fittings in order to reinforce the hose and provide necessary resistance to traction. PVC Cover is an external protection of hose from environmental and other outside influences. In this way, gas hose is of the highest level of quality, safety and flexibility.

Paktermo EN14800 gas hoses, when properly installed and correctly used, under normal chemical, mechanical and thermal condition will provide long term safe operation without degradation.

Max. Working Pressure . 0,5 bar

Materials

Hose: Stainless Steel

Braid: Stainless Steel

Fittings: Stainless Steel / Brass

(Female and Valve connections can be Brass – acc. to EN12164 and EN12165)

Cover: PVC

Gasket: NBR

The length of hose can be 0,50m - 0,75m - 1,00m - 1,25m - 1,50m and 2,00m.

Some countries are use different type of connection fittings. Paktermo EN14800 gas hoses has wide range of fittings.

Female – Male – Valve - Thermal Socket - 90° Elbow – Rotated Male – Fixed Female.



EN14800 Gas Hose with Safety Fittings

The fitting serves as the gas valve, thus it is not necessary to use another gas valve as by the hoses with the threaded fittings.

Endings

Gas hose with a handle for fitting type 657 shall be used to connect the gas hose with fitting type 657. There is always a tapped (threaded) ending on the other side of the gas hose.

Thermal fuse

The fitting standardly contains the integrated safety fuse type, which automatically closes the supply of gas by the activation temperature 100 °C. It prevents gas from burning or explosion during a fire. If fuses is activated once then must be replaced complete fitting.

The valve and the assembled hose has approval by DVGW.

Gas Hose with ROAI Valve (acc. to CCH 2004-01)

Intended for installation in collective housing for the supply of gas to domestic cooking appliances.

Consists of a valve with integrated automatic shutter and a flexible stainless steel hose with unlimited life, fitted with a stopper with rubber link. The ROAI and the Flexible are free to rotate relative to each other.

The ROAI is fitted with a shutter automatically interrupting the passage of gas in the event of cutting or tearing of the hose. After connection of the problem, a simple closing of the tap is enough to reset it.

The ROAI valve and the assembled hose has approval by NF.

Gas Hose with 90° Elbow Connection

In some device, assembly with standard nut or nipple connection does not meet minimum bending diameter request. In this case, excessive bending of the product is prevented by using 90 degree bent elbow connection and more convenient, long-lasting use is provided.



EXTENSIBLE GAS CONNECTION HOSES



These hoses are generally used in domestic area for connection of gas appliances to a gas delivery system.

It is covered with yellow heat shrinkable tube for protecting the hose from acid attack (pitting) and thermal variations.

Due to its extensible structure the hose can be adjusted to any installation.

Hose Diameter: DN12 - DN50

Hose Material: Stainless Steel

Fittings Type: Nut -Nipple

Fittings Material: Stainless Steel / Carbon Steel

Outer Cover: Polyolefin Heat Shrinkable Tube

Gasket Material: NBR

GAS COUNTER CONNECTION HOSES



This type hoses are installed to system for gas counter devices gas connection.

Hose Diameter: DN12 - DN50

Hose Material: Stainless Steel

Fittings Type: Nut -Nipple

Fittings Material: Stainless Steel / Carbon Steel

Outer Cover: Polyolefin Heat Shrinkable Tube

Gasket Material: NBR

Counter Type	Length (mm.)	Nut (inch)	Nipple (inch)
G4	200	1 1/4"	1"
G6	200	1 1/4"	1"
G10	400	2"	1 1/2"
G16	400	2"	1 1/2"
G20	400	2 1/2"	2"
G25	400	2 1/2"	2"

REGULATOR CONNECTION HOSES

This type hoses are installed to system for regulator devices gas connection.

- Hose Diameter:** DN12 - DN50
- Hose Material:** Stainless Steel
- Fittings Type:** Nut -Nipple-Muff
- Fittings Material:** Stainless Steel / Carbon Steel
- Outer Cover:** Polyolefin Heat Shrinkable Tube
- Gasket Material:** NBR



BURNER CONNECTION HOSES

This type hoses are installed to system for burner devices gas connection.

- Hose Material:** Stainless Steel
- Fittings Type:** Nipple -Nipple
- Fittings Material:** Stainless Steel / Carbon Steel
- Outer Cover:** Polyolefin Heat Shrinkable Tube
- Gasket Material:** NBR

DN	Length (mm.)	Nipple (inch)	Nipple (inch)
25	170	1"	1"
42	170	1 1/4"	1 1/4"
40	210	1 1/2"	1 1/2"
50	230	2"	2"



PAK 001

STANDARD PITCH

FLEXIBLE METAL HOSE



A corrugated flexible metal hose with standard pitch annular corrugation can be used for conveying many fluids in a wide range of applications.

These hoses are high resistant to temperature and pressure, easy to install because of flexible design and has longer life time because of its resistance to corrosion.

Material: Stainless Steel

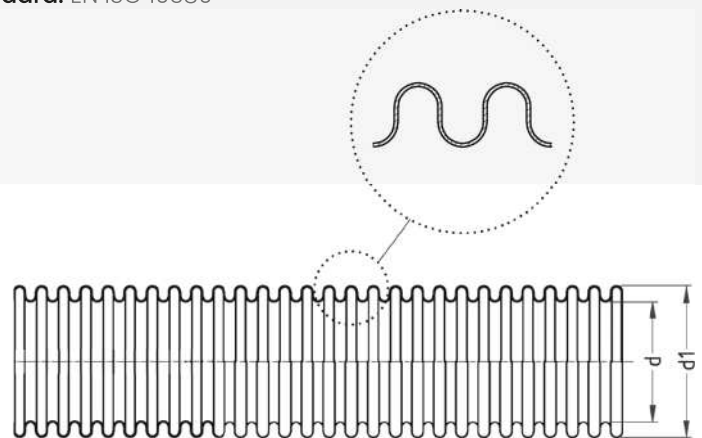
Diameter Range: DN6 -DN50

Temperature Range: -270° C +600° C

Test Pressure: 1,5 times the max.working pressure

Burst Pressure: 4 times the max.working pressure

Standard: EN ISO 10380



Product Code	DN		Inner Diameter	Outer Diameter	Tolerance	Min. Bending Radius Static	Nominal Bending Radius Dynamic	Maximum Working Pressure at 20°C
	mm.	inch						
			d	d1	d,d1	r min. mm	rn mm	bar
PAK 001	6	1/4"	6,20	9,60	± 0,2	15	80	20
PAK 001	8	5/16"	8,20	12,20	± 0,3	16	125	16
PAK 001	10	3/8"	10,20	14,20	± 0,3	18	127	11
PAK 001	12	1/2"	12,30	16,40	± 0,4	20	140	9
PAK 001	16	5/8"	16,50	21,60	± 0,4	27	155	7
PAK 001	20	3/4"	20,20	26,90	± 0,4	32	170	4
PAK 001	25	1"	25,50	32,10	± 0,4	40	190	4
PAK 001	32	1 1/4"	34,10	40,70	± 0,4	49	257	3
PAK 001	40	1 1/2"	40,10	49,70	± 0,4	59	295	1,5
PAK 001	50	2"	50,20	60,20	± 0,5	69	310	1

PAK 002 OPEN PITCH FLEXIBLE METAL HOSE



A corrugated flexible metal hose with open pitch annular corrugation can be used for conveying many fluids in a wide range of applications.

Open pitch flexible metal hoses are mostly used in solar energy systems and applications where convey hot water.

These hoses are high resistant to temperature and pressure, easy to install because of flexible design and has longer life time because of its resistance to corrosion.

Material: Stainless Steel

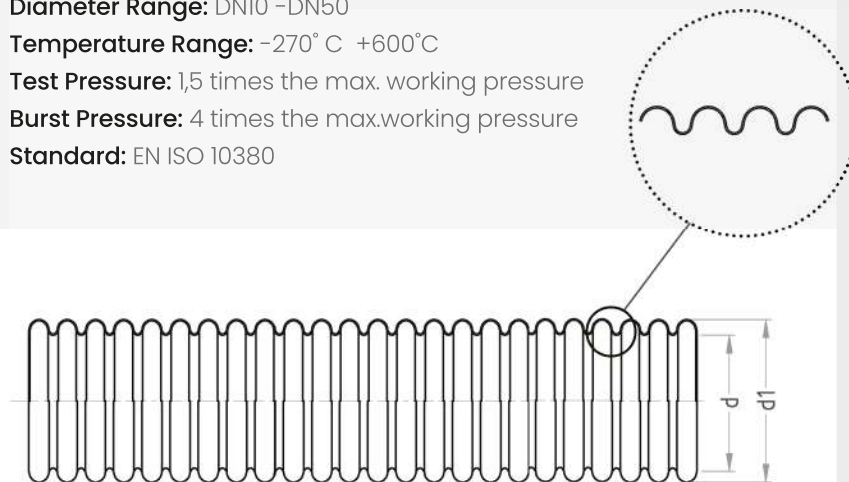
Diameter Range: DN10 -DN50

Temperature Range: -270° C +600°C

Test Pressure: 1,5 times the max. working pressure

Burst Pressure: 4 times the max.working pressure

Standard: EN ISO 10380



Product Code	DN		Inner Diameter	Outer Diameter	Tolerance	Minimum Bending Radius Static	Maximum Working Pressure at 20°C
	mm.	inch					
			d	d1	d,d1		
PAK 002	10	3/8"	10,40	14,20	± 0,3	18	11
PAK 002	12	1/2"	12,10	15,60	± 0,3	20	15
PAK 002	16	5/8"	16,30	21,40	± 0,4	25	10
PAK 002	20	3/4"	21,00	26,50	± 0,4	30	10
PAK 002	25	1"	25,70	31,80	± 0,4	35	6
PAK 002	32	1 1/4"	33,50	40,30	± 0,5	40	4
PAK 002	40	1 1/2"	40,00	46,70	± 0,4	50	4
PAK 002	50	2"	49,50	57,60	± 0,5	60	2

FLEXIBLE METAL BRAIDED HOSES

Corrugated hoses with braiding are widely used in areas like heating, ventilation, conditioning systems, iron and steel industry, chemical and petrochemical facilities, oil and gas refineries, chemistry and food industries, aircraft and ship construction facilities.

Its main advantages over solid tubing and piping are that it provides added protection against abrasion and pressure, and that it dampens vibration.

In addition, it is far less susceptible to high temperatures and pressures than many other types of hoses.

Therefore braided flexible metal hoses is being used for connection where there is a high temperature and high pressure in the system.

They easily satisfy the requirements with regard to resistance to pressure, vacuum tightness, temperature stability, resistance to corrosion, flexibility and durability.

Hose Material: Stainless Steel

Braiding Material: Stainless Steel

Diameter Range: DN6 -DN50

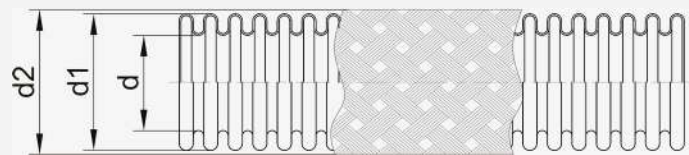
Fittings Type : Nut-Nipple -Flange-Pipe End

Fittings Material: Stainless Steel / Carbon Steel

Test Pressure: 1,5 times the max.working pressure

Burst Pressure: 4 times the max.working pressure

Standard: EN ISO 10380



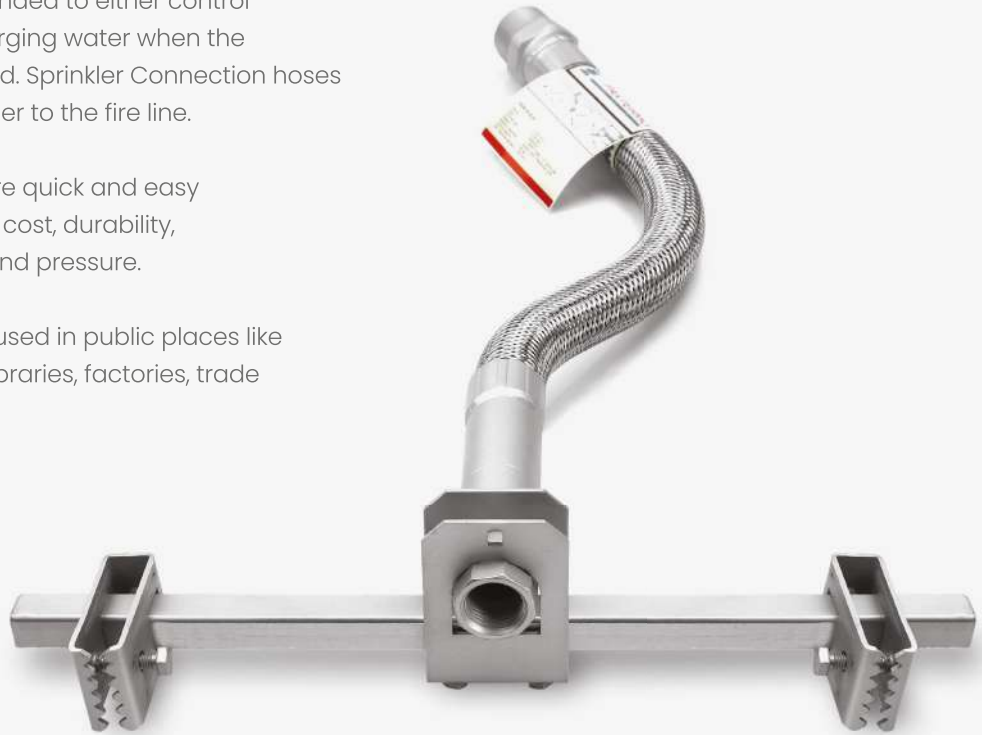
Product Code	DN		Inner Diameter	Outer Diameter		Tolerance	Minimum Bending Radius Static	Minimum Bending Radius Dynamic	Maximum Working Pressure at 20°C
	mm.	inch		mm.					
			d	d1	d2	d,d1,d2	r min. mm	rn mm	bar
PAK 001B	6	1/4"	6,20	9,60	10,70	± 0,2	25	80	150
PAK 001B	8	5/16"	8,20	12,20	13,70	± 0,2	34	125	125
PAK 001B	10	3/8"	10,20	14,20	15,60	± 0,2	38	127	95
PAK 001B	12	1/2"	12,20	16,30	17,80	± 0,3	44	140	70
PAK 001B	16	5/8"	16,30	21,60	22,80	± 0,2	48	155	65
PAK 001B	20	3/4"	20,20	26,90	28,50	± 0,2	69	170	45
PAK 001B	25	1"	25,30	32,10	33,80	± 0,2	84	190	50
PAK 001B	32	1 1/4"	34,10	40,70	43,10	± 0,3	104	257	35
PAK 001B	40	1 1/2"	40,10	49,70	52,10	± 0,3	129	295	40
PAK 001B	50	2"	50,20	60,20	62,40	± 0,4	160	310	25

SPRINKLER CONNECTION HOSES

The fire sprinkler systems are intended to either control or to extinguish the fire by discharging water when the effects of a fire has been detected. Sprinkler Connection hoses are used for connection of sprinkler to the fire line.

The advantages of this system are quick and easy installation, minimum installation cost, durability, resistance to high temperature and pressure.

The sprinkler system is generally used in public places like hotels, shopping malls, theatres, libraries, factories, trade centers, cruise ships.



Hose Material: Stainless Steel

Fittings Material: Stainless Steel / Carbon Steel

Braiding Material: Stainless Steel

Sprinkler Connection Hoses For Marine Industry

PAKTERMO high pressure resistant braided sprinkler connection hoses are used in vessels for connection of fire extinguishing system.

Hose Material: Stainless Steel

Fittings Material: Stainless Steel / Carbon Steel

Braiding Material: Stainless Steel

Working Pressure: 140 bar

Test Pressure: 1,5 times the max.working pressure

Burst Pressure: 4 times the max.working pressure



WATER CONNECTION HOSES

Flexible metal water connection hoses are suitable for hot water and cold water applications.

The usage of these hoses are very healthy and durable due to its stainless steel material structure.

Hose Material: Stainless Steel

Diameter Range: DN12 -DN50

Fittings Type: Nut-Nipple

Fittings Material: Stainless Steel / Carbon Steel

Gasket Material: Non Asbestos Klingerit

Test Pressure: 1,5 times the max.working pressure

Burst Pressure: 4 times the max.working pressure

Standard: EN ISO 10380



FAN-COIL CONNECTION HOSES

Fan-coil connection hoses are used for easy and safety connection of distribution piping of the heating and cooling systems to the fan-coil units. There are 2 types which are braided and unbraided.

The material which is used for insulation is EPDM Rubber. The insulation material prevents heat loss and sweating.

Hose Material: Stainless Steel

Diameter Range: DN12 -DN50

Fittings Type: Nut-Nipple

Fittings Material: Stainless Steel / Carbon Steel

Braiding Material: Stainless Steel

Gasket Material: Non Asbestos Klingerit

Insulation Material: EPDM Rubber

Test Pressure: 1,5 times the max. working pressure

Burst Pressure: 4 times the max. working pressure

Standard: EN ISO 10380



FLEXIBLE METAL HOSES FOR BOILER

Boiler Hoses are suitable for solar boilers and any kind of water heat exchangers.

These hoses provide higher transfer due to its wide surface area than standard hoses.

Hose Material: Stainless Steel

Diameter Range: DN20-DN25-DN32-DN40

Fittings Type: Outside-Inside Threaded Pipe

Fittings Material: Stainless Steel

Temperature Range: -270° C +600° C



Product Code	DN		Inner Diameter	Outer Diameter	Tolerance	Minimum Bending Radius Static	Maximum Working Pressure at 20°C	Surface	Volume
	mm.	inch							
PAK 002	20	3/4"	19,80	25,70	± 0,4	35	10	0,125	0,401
PAK 002	25	1"	25,50	31,30	± 0,4	35	8	0,156	0,607
PAK 002	32	1 1/4"	32,20	39,00	± 0,4	40	8	0,178	0,972
PAK 002	40	1 1/2"	40,00	46,70	± 0,4	50	6	0,214	1,440



Flexible Metal Hoses For Solar Collector Connections

Hose Material: Stainless Steel AISI 316L

Diameter Range: DN12-DN16-DN20-DN25

Fittings Type: Female, Male and Welded Ends

Fittings Material: Brass, Stainless Steel

Temperature Range: -270° C +600° C

EASY AND QUICK INSTALLATION QUICKFLEX HOSES



Corrugated Hose

Material

Hose: AISI 316L

Fittings

Material

Nut: Brass

Nipple: Brass

Segment: Stainless Steel

Gasket: Non Asbestos Klingerit gasket



The installation can be realized by the following steps;

- 1- Cut the hose according to the requirement
- 2- Pass the nut over the hose. Crush the corrugation of the hose with a crushing tool enable to flatten the surface.
- 3- Fasten the suitable segment under the crushed corrugation
- 4- Then attach the gasket.



INSULATED SOLAR HOSES

PAKTERMO flexible metal insulated solar hoses for solar thermal power are used as collector connectors for solar panels. It is a pre-insulated piping run from your solar collectors to your pump station in a typical residential solar hot water installation.

You can save money by using these hoses for solar system installation. Easy connection, no soldering, save installation time, reduction labor cost. Coils which lengths from 5 mtrs to 50 mtrs according to customer's demand are put into carton boxes. Easy storage.

EPDM Insulation Pipe

'High quality synthetic elastomer (EPDM) based with a complete closed cell structure

Excellent UV Resistance

CFC and PVC free

Up to 150°C operating (175° C operating intermitant)

Flexibility in -40°C conditions

Lambda value of 0.040 at +40°C

Self extinguishing

Thickness: 13mm./ 19mm.

Stainless Steel Corrugated Hose

Material: Stainless Steel

Diameter Range: DNI6-DN20-DN25

Fittings Material: Brass

Jacketing

UV Resistant Monofilament Yarn Braiding

UV Resistant Black Film

Temperature Sensor Cable

Wire: Copper

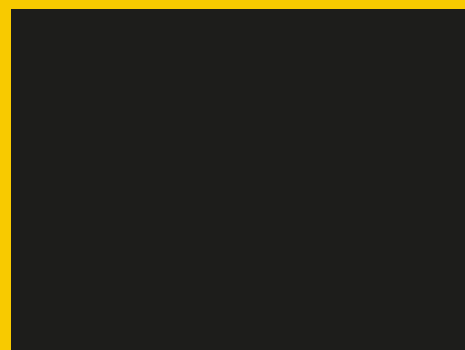
Insulation: Silicon Rubber

Temperature: +200°C



Flexible

Metal Hoses



 PAKTERMO



Organize Sanayi Bölgesi Eflatun Cd. No: 8
BURSA / TURKEY

T: +90 224 241 78 20 F: +90 224 241 78 23

www.paktermo.com
paktermo@paktermo.com



PAKTERMO
Quality For Life